

INSTRUCTIONS FOR THE PREVENTION OF FIRE, ELECTRIC SHOCK, OR INJURY TO PERSONS

About ⚠ WARNING and ⚠ CAUTION Notices

⚠ WARNING	Used for instructions intended to alert the user to the risk of death or severe injury should the unit be used improperly.
⚠ CAUTION	Used for instructions intended to alert the user to the risk of injury or material damage should the unit be used improperly. * Material damage refers to damage or other adverse effects caused with respect to the home and all its furnishings, as well to domestic animals or pets.

About the Symbols

	The ⚠ symbol alerts the user to important instructions or warnings. The specific meaning of the symbol is determined by the design contained within the triangle. In the case of the symbol at left, it is used for general cautions, warnings, or alerts to danger.
	The 🔥 symbol alerts the user to items that must never be carried out (are forbidden). The specific thing that must not be done is indicated by the design contained within the circle. In the case of the symbol at left, it means that the unit must never be disassembled.
	The ⚡ symbol alerts the user to things that must be carried out. The specific thing that must be done is indicated by the design contained within the circle. In the case of the symbol at left, it means that the power-cord plug must be unplugged from the outlet.

ALWAYS OBSERVE THE FOLLOWING

- ⚠ WARNING**
- Before using this unit, make sure to read the instructions below, and the instruction Manual.
- Do not open or perform any internal modifications on the unit.
- Do not attempt to repair the unit, or replace parts within it (except when this manual provides specific instructions directing you to do so). Refer all servicing to your retailer, the nearest Roland Service Center, or an authorized Roland distributor.
- Never use or store the unit in places that are:
 - Subject to temperature extremes (e.g., direct sunlight in an enclosed vehicle, near a heating duct, on top of heat-generating equipment); or are
 - Damp (e.g., baths, washrooms, on wet floors); or are
 - Humid; or are
 - Exposed to rain; or are
 - Dusty; or are
 - Subject to high levels of vibration.
- Do not allow any objects (e.g., flammable material, coins, pins); or liquids of any kind (water, soft drinks, etc.) to penetrate the unit.
- Protect the unit from strong impact. (Do not drop it!)

- ⚠ WARNING**
- Immediately turn the power off, and request servicing by your retailer, the nearest Roland Service Center, or an authorized Roland distributor, when:
 - If smoke or unusual odor occurs
 - Objects have fallen into, or liquid has been spilled onto the unit; or
 - The unit has been exposed to rain (or otherwise has become wet); or
 - The unit does not appear to operate normally or exhibits a marked change in performance.
- In households with small children, an adult should provide supervision until the child is capable of following all the rules essential for the safe operation of the unit.
- If the bass includes a battery, remove the battery from the bass before attempting installation of this unit.
- ⚠ CAUTION**
- Never climb on top of, nor place heavy objects on the unit.
- Whenever you've removed any parts (screws, washers, springs, etc.) used in attaching components, be sure to keep them out of the reach of small children in order to prevent them from being swallowed accidentally.



Manufacturer: Roland Corporation
2036-1 Nakagawa, Hosoe-cho, Kita-ku, Hamamatsu, Shizuoka 431-1304, JAPAN
Importer: Roland Corporation
ENA 23 Zone 1 nr. 1620 Klaus-Michael Kuehnelaan 13, 2440 Geel, BELGIUM

For EU Countries

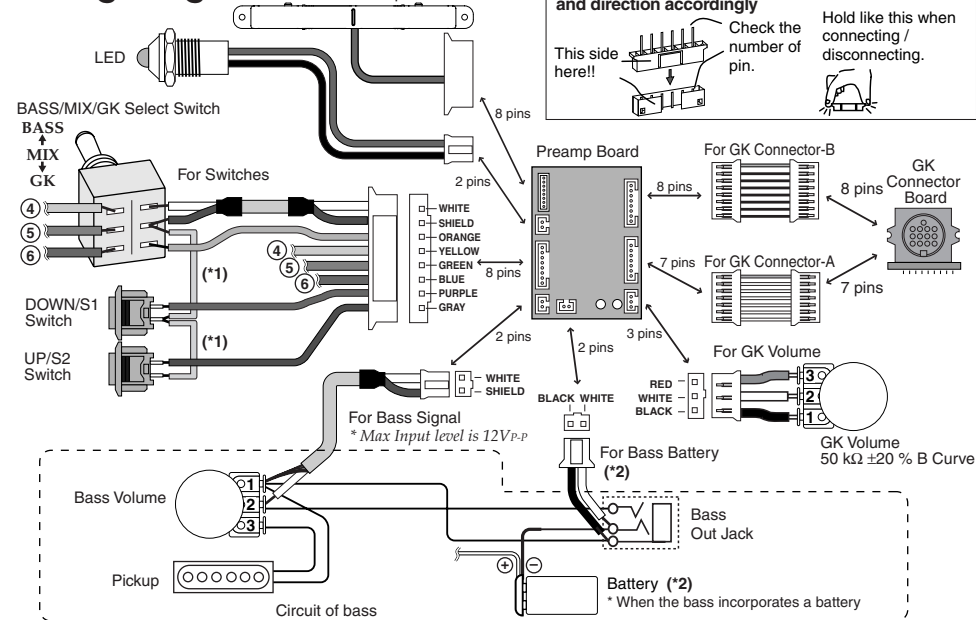


Manufacturer: Roland Corporation
2036-1 Nakagawa, Hosoe-cho, Kita-ku, Hamamatsu, Shizuoka 431-1304, JAPAN
Importer: Roland Europe Group Limited
Hive 2, 1530 Arlington Business Park, Theale, Reading, Berkshire. RG7 4SA United Kingdom

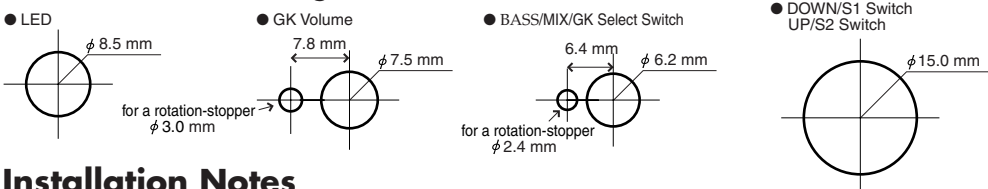
For the U.K.



Wiring Diagram



Dimensional Drawing of the Hole (if necessary, a hole for a rotation-stopper can be drilled.)

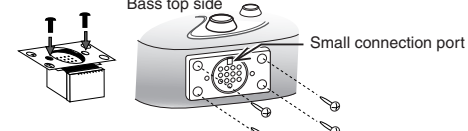


Installation Notes

GK Connector Board

- Attach the GK connector to the connector plate with the supplied screws.
- Attach the plate to the bass with the screws.

* Mount GK Connector board so that small connection port should be placed top toward bass top side.

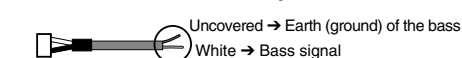


Wiring for GK Volume

- Solder each signal wire of GK volume with GK volume ($50 \text{ k}\Omega \pm 20\%$ B Curve).

Wiring for Bass Signal

- Solder uncovered wire (silver) to the earth (ground) of the bass.
- Solder the white wire to the bass signals.



* Do not exceed 12Vp-p for input signal level.

Wiring for Switches (Select Switch, DOWN/S1 Switch, UP/S2 Switch)

- Ground wire for each wiring is common. Wire the ground wires as shown in "Wiring Diagram" (*1).
- Using rebounding switch of (SPDT (ON)-OFF-(ON)) for DOWN/S1, UP/S2, mounting can be simpler.

* Switch not included — must be acquired separately.

Wiring for Bass Battery

If the bass has a battery for powering the pickup and preamp, install the wiring from the jack as shown in "Wiring Diagram" (*2). Even if a plug is not inserted in the jack, when power is applied to the GK connector, power from the battery is turned on.

- * This function is enabled only for the circuit being turned on/off with the battery's negative terminal.
- * This wiring is not necessary for basses without internal batteries.
- * This wiring is for switching the battery on and off; it is not used for supplying power to the bass.
- * A current of 500 mA or less can be switched ON/OFF using this circuit. Please use due caution; if current consumption exceeds 500 mA, this circuit cannot be used.

About Transcription for Each Controller

When you transcribe each controller into bass itself or owner's manual, please transcribe as below:

GK Volume	...GK VOL	Select Switch	...BASS
DOWN/S1 Switch	...DOWN/S1		...MIX
UP/S2 Switch	...UP/S2		...GK

Instruction Manual

Thank you for purchasing the Roland GK-KIT-BG3, a divided pickup kit. The GK-KIT-BG3 is a specialized kit for internal installation of the included bass divided pickup. To ensure proper installation – which is critical – and operation, please read this owner's manual carefully.

IMPORTANT NOTES

In addition to the items listed under "USING THE UNIT SAFELY," please read and observe the following:

- Using the unit near power amplifiers (or other equipment containing large power transformers) may induce hum.
- Noise may be produced if wireless communications devices, such as cell phones, are operated in the vicinity of this unit. Such noise could occur when receiving or initiating a call, or while conversing.
- Never use benzene, thinners, alcohol or solvents of any kind, to avoid the possibility of discoloration and/or deformation.
- When connecting / disconnecting all cables, grasp the connector itself—never pull on the cable. This way you will avoid causing shorts, or damage to the cable's internal elements.
- To avoid the risk of damage to internal components that can be caused by static electricity, please carefully observe the following whenever you handle the board.
 - Before you touch the board, always first grasp a metal object (such as a water pipe), so you are sure that any static electricity you might have been carrying has been discharged.
 - When handling the board, grasp it only by its edges. Avoid touching any of the electronic components or connectors.
 - Before you connect any cables, make sure they do not carry a static electricity charge. Such charges can be transmitted, for example, if the other end of the cable has been in contact with a carpet (or other object) where there is a static electricity buildup.
 - Save the bag in which the board was originally shipped, and put the board back into it whenever you need to store or transport it.
- Do not touch any of the printed circuit pathways.
- Never use excessive force when installing a circuit board.
- When circuit board installation is complete, double-check your work.
- Install only the included circuit boards. Remove only the specified screws.
- In the interest of product improvement, the specifications and/or appearance of this unit are subject to change without prior notice.
- Roland assumes no liability concerning any damage to the bass and GK-KIT-BG3 upon installing the GK-KIT-BG3. Please proceed with the installation using caution and care at your own risk.
- Be sure to use the special cable supplied by us to connect the GK-KIT-BG3 to the GK-compatible device for bass. Use of any other cable may cause unnecessary problems.
- GK-KIT-BG3 cannot be used with basses that have unusual or customized string setups, or basses strung with nylon, rubber, or other non-metallic strings.

French language for Canadian Safety Standard

- Veillez suivre attentivement les instructions suivantes quand vous manipulez la carte afin d'éviter tout risque d'endommagement des pièces internes par l'électricité statique.
 - Toujours toucher un objet métallique relié à la terre (comme un tuyau par exemple) avant de manipuler la carte pour vous décharger de l'électricité statique que vous auriez pu accumuler.
 - Lorsque vous manipulez la carte, la tenir par les côtés. Évitez de toucher aux composants ou aux connecteurs.
 - Avant de connecter tout câble, assurez-vous qu'il ne contient aucune charge d'électricité statique. De telles charges peuvent être transmises, par exemple, si l'autre extrémité du câble touche à un tapis (ou autre objet) où il y a accumulation d'électricité statique.
 - Conservez le sachet d'origine dans lequel était la carte lors de l'envoi et remettez la carte dedans si vous devez la ranger ou la transporter.
- Ne toucher aucun chemin d'accès des circuits imprimés.
- Ne jamais forcer lors de l'installation de la carte de circuits imprimés.
- Quand l'installation de la carte de circuits imprimés est terminée, revérifiez si tout est bien installé.
- Avant d'entreprendre l'installation de cette unité, retirer les piles de la guitare le cas échéant.
- Installer uniquement les carte de circuits imprimés ci-jointes. Enlevez seulement les vis indiquées.

Supplied parts contents

Divided Pickup1
Preamp Board1
GK Connector Board1
Connector Plate1
Pan Head Screw (for installing the Divided Pickup) (M3x20)2
Spring (for installing the Divided Pickup)2
Pan Head Screw with Spring Washer (for installing the GK Connector) (M3x10)2

Cables

For GK Connector-A (7 pins)1
For GK Connector-B (8 pins)1

For GK Volume (3 pins)1
For Switches (8 pins)1
For Bass Signal (2 pins)1
For Bass Battery (2 pins, incorporating internal fuse)1

GK Volume (50k Ω \pm 20% B Curve)1
LED (with wiring)1
DOWN/S1, UP/S2 Switch (Momentary, Normal Operation)2
BASS/MIX/GK Select Switch (DPDT, ON-OFF-ON)1

Parts should be arranged separately

Screw (for installing the Connector Plate)4
Ground Wire2 (See "Wiring Diagrams" (*1))

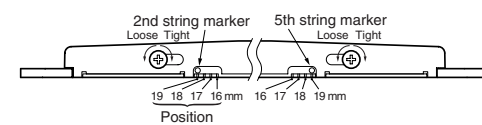
Adjusting the Divided Pickup

Adjust the divided pickup according to the string spacing for the bass in which the pickup is being installed.

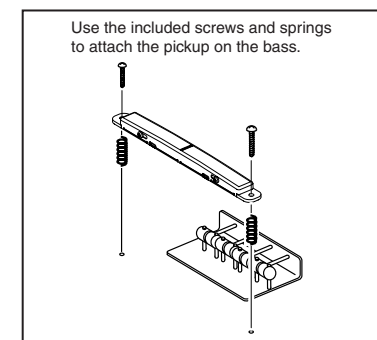
- Measure the distance between strings on your bass.
- Loosen the two screws in the sides of the pickup, move the markers so that they are correctly positioned according to the distance between the strings, then retighten the screws.

* Be careful not to tighten the screws excessively.

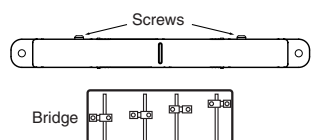
* This adjustment made so that both 2nd string marker and 5th string marker are at the same position.



Attaching the Divided Pickup

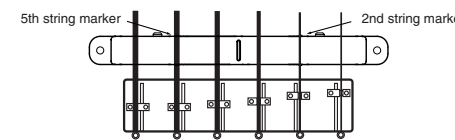


- Attach the pickup so that the screws on the side of the pickup face toward the neck.

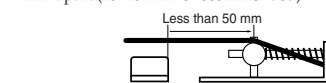


- Adjust the pickup so that the center marker is between the D and A strings and the 2nd and 5th string markers are directly under the G and E strings, respectively.

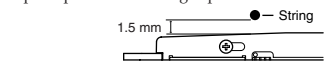
4E 3A 2D 1G	Four-string bass
5B 4E 3A 2D 1G	Five-string bass
6B 5E 4A 3D 2G 1C	Six-string bass



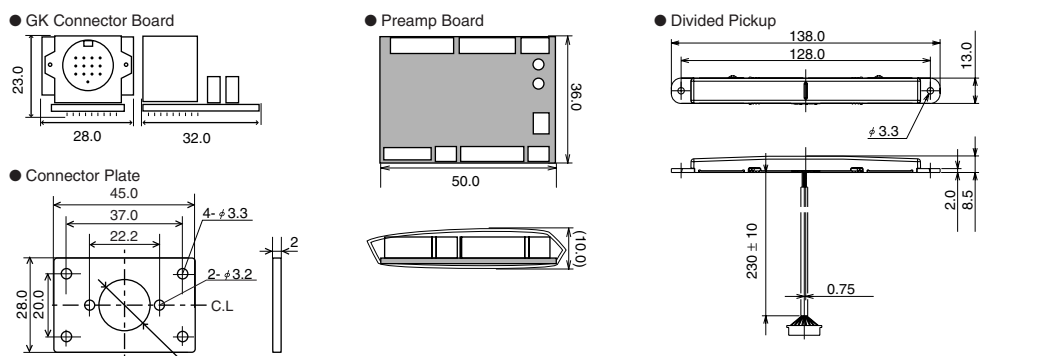
- Make sure that the pickup and the bridge are no more than 50 mm apart (15–25 mm is recommended).



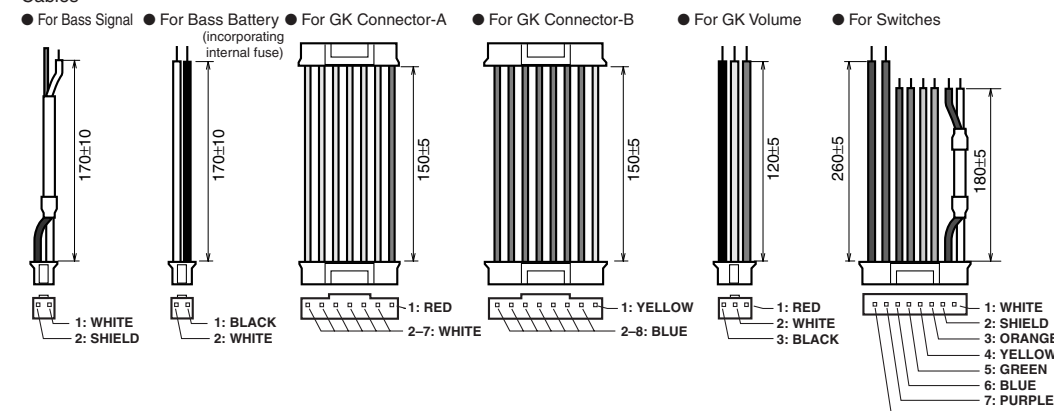
- Adjust the height of the divided pickup so that there is approximately 1.5 mm of clearance between the string and pickup when the string is pressed on the highest fret.



Dimensions Unit : mm



Cables



* 4 0 6 7 1 1 9 0 - 0 3 *