

Before using this stand, carefully read the sections entitled "USING THE UNIT SAFELY" and "IMPORTANT NOTES." Additionally this manual should be saved and kept on hand as a convenient reference.

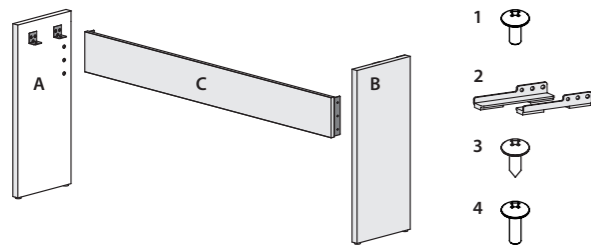


- Make sure that another person is on hand to help with the assembly and setup.
- Be very careful, when you assemble and move the piano, to make sure that you do not drop it on your hands or feet.
- Prepare an area in which you can perform the assembly safely.
- Do not use a power tool (e.g., an electric screwdriver) to assemble the stand. You risk damaging or stripping the screws.
- The KSC-70 is designed specifically to be used with the FP-30.

Copyright © 2015 ROLAND CORPORATION

Parts Check

Before you begin assembling the stand, check that all the parts are supplied.

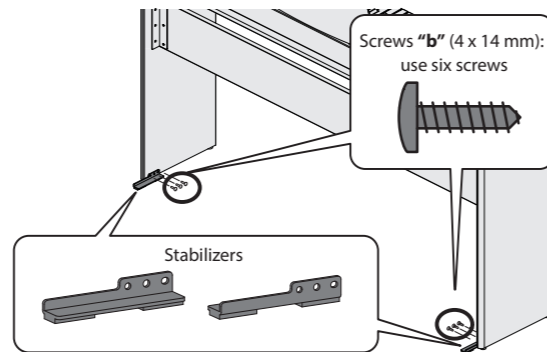


A	Side board (left)	1 pcs.
B	Side board (right)	1 pcs.
C	Center board	1 pcs.
1	Screw "a" (M5 x 12 mm)	6 pcs.
2	Stabilizers (left/right)	1 pcs.
3	Screw "b" (4x14 mm)	6 pcs.
4	Screw "c" (M5 x 20 mm)	4 pcs.

2 Attaching the Stabilizers

1. Place the unit upright, and attach the stabilizers to the side boards.

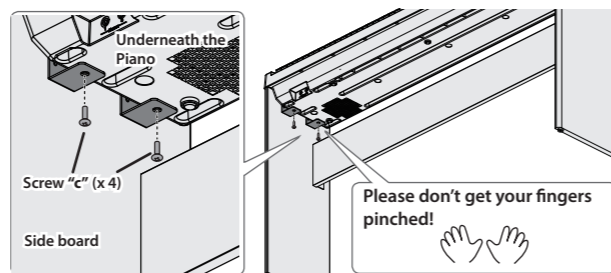
\* Securely fasten the stabilizers to their final tightness at this time.



3 Installing the Piano on the Stand

1. Set the piano on the stand, then firmly attach the four screws "c" (M5 x 20 mm).

\* When handling the piano, firmly grasp it. Be careful, so you do not get your fingers pinched.



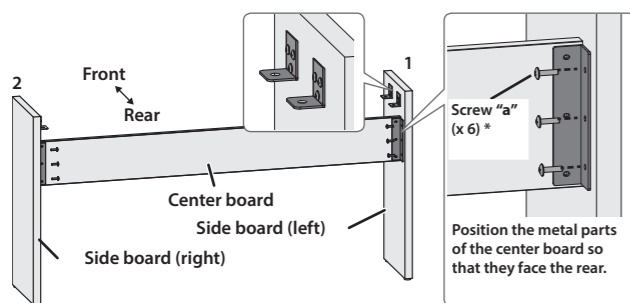
Assembly Procedure

- \* You will also need to have a Phillips screwdriver.
- \* Fasten each screw tightly, then place the stand in a stable and horizontal place.
- \* Do not allow the pedal cord or power cord to get twisted or pinched while assembling the stand.
- \* In the interest of product improvement, the specifications and/or appearance of this stand are subject to change without prior notice.

1 Stand Assembly

At first, assemble the entire stand in a temporary fashion, without really tightening the screws. Then, after checking the overall alignment of the boards (and gently shifting certain parts where necessary), go around and tightly fasten each of the screws.

1. Attach the side board (left) for the left sides to the center board (so that the metal parts face inside) using screws "a" (M5 x 12 mm).
2. Use screws "a" (M5 x 12 mm) to attach the side board (right) in the same way.



Do not use the long screws "c."



INSTRUCTIONS FOR THE PREVENTION OF FIRE, ELECTRIC SHOCK, OR INJURY TO PERSONS

About ⚠ WARNING and ⚠ CAUTION Notices

⚠ WARNING	Used for instructions intended to alert the user to the risk of death or severe injury should the unit be used improperly.
⚠ CAUTION	Used for instructions intended to alert the user to the risk of injury or material damage should the unit be used improperly. * Material damage refers to damage or other adverse effects caused with respect to the home and all its furnishings, as well to domestic animals or pets.

About the Symbols

⚠	The ⚠ symbol alerts the user to important instructions or warnings. The specific meaning of the symbol is determined by the design contained within the triangle. In the case of the symbol at left, it is used for general cautions, warnings, or alerts to danger.
⊘	The ⊘ symbol alerts the user to items that must never be carried out (are forbidden). The specific thing that must not be done is indicated by the design contained within the circle. In the case of the symbol at left, it means that the unit must never be disassembled.
⚡	The ⚡ symbol alerts the user to things that must be carried out. The specific thing that must be done is indicated by the design contained within the circle. In the case of the symbol at left, it means that the power-cord plug must be unplugged from the outlet.

ALWAYS OBSERVE THE FOLLOWING

⚠ WARNING

Do not disassemble or modify by yourself

Do not carry out anything unless you are instructed to do so in the owner's manual. Otherwise, you risk causing malfunction.



Do not repair or replace parts by yourself

Refer all servicing to your retailer, the nearest Roland Service Center, or an authorized Roland distributor, as listed on the "Information."



Do not use or store in the following types of locations

- Subject to temperature extremes (e.g., direct sunlight in an enclosed vehicle, near a heating duct, on top of heat-generating equipment); or are
- Damp (e.g., baths, washrooms, on wet floors); or are
- Exposed to steam or smoke; or are
- Subject to salt exposure; or are
- Exposed to rain; or are
- Dusty or sandy; or are
- Subject to high levels of vibration and shakiness; or are
- Placed in a poorly ventilated location.



Do not place in an unstable location

Otherwise, you risk injury as the result of the unit toppling over or dropping down.



Be cautious to protect children from injury

Always make sure that an adult is on hand to provide supervision and guidance when using the unit in places where children are present, or when a child will be using the unit.



Do not drop or subject to strong impact

Otherwise, you risk causing damage or malfunction.



⚠ CAUTION

Use only stand manufactured by Roland

This stand for use only with specific Roland musical instruments. See apparatus instructions. Use with other models is capable of resulting in instability causing possible injury.



Evaluate safety issues before using stands

Even if you observe the cautions given in the owner's manual, certain types of handling may allow this product to fall from the stand, or cause the stand to overturn. Please be mindful of any safety issues before using this product.



Avoid climbing on top of the unit, or placing heavy objects on it

Otherwise, you risk injury as the result of the unit toppling over or dropping down.



Keep small items out of the reach of children

To prevent accidental ingestion of the parts listed below, always keep them out of the reach of small children.



- Included Parts
- Screws

Placement

• Do not allow lighting devices that normally are used while their light source is very close to the unit (such as a piano light), or powerful spotlights to shine upon the same area of the unit for extended periods of time. Excessive heat can deform or discolor the unit.

• Do not paste stickers, decals, or the like to this instrument. Peeling such matter off the instrument may damage the exterior finish.

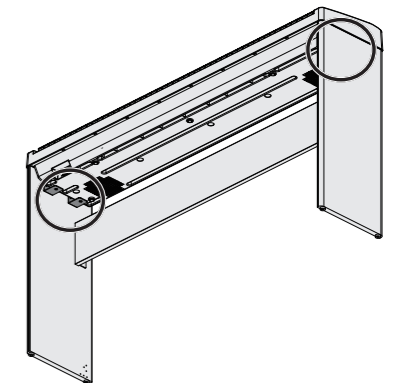
• Depending on the material and temperature of the surface on which you place the unit, its rubber feet may discolor or mar the surface.

Maintenance

• To clean the unit, use a dry, soft cloth; or one that is slightly dampened. Try to wipe the entire surface using an equal amount of strength, moving the cloth along with the grain of the wood. Rubbing too hard in the same area can damage the finish.

• Never use benzine, thinners, alcohol or solvents of any kind, to avoid the possibility of discoloration and/or deformation.

• As with any wood-crafted product, some expansion and contraction of the wood can occur depending on the way the unit is used and the environment in which it is used. Over time, this can cause some of the screws to start coming loose. To ensure safe, worry-free use of the unit, you should periodically check the tightness of the screws shown in the illustration. If you find any that are loose, use a screwdriver to tighten them.



In the interest of product improvement, the specifications and/or appearance of this unit are subject to change without prior notice.