

Module Installation Rules

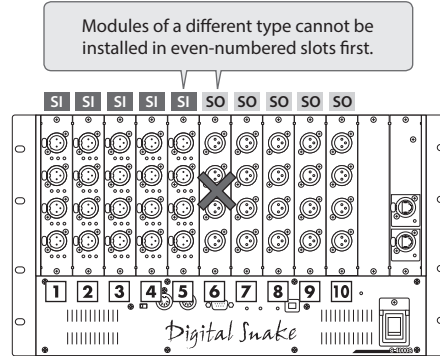
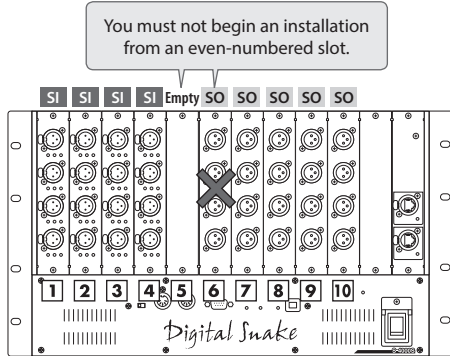
For the Purchaser—Please Read

When installing or detaching the SI-AD4 or SO-DA4, be sure to consult your Roland Authorized Service Center.

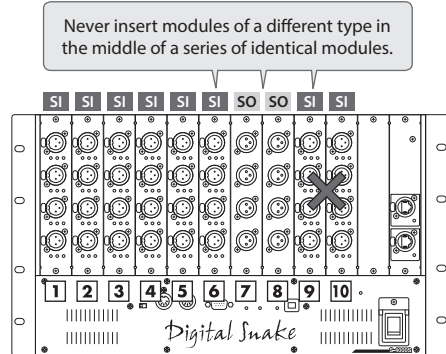
The rules for installing modules (SI-AD4/SO-DA4) are as follows. Be sure to follow these rules when installing.

SI = SI-AD4 SO = SO-DA4

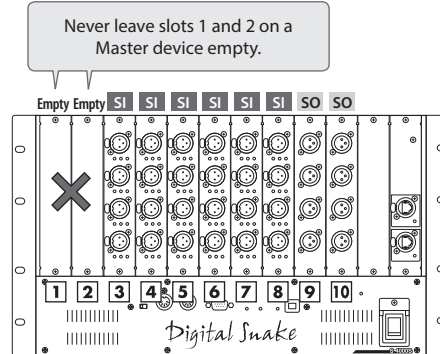
● Installation must start from an odd-numbered slot.



● Group together modules of the same type.



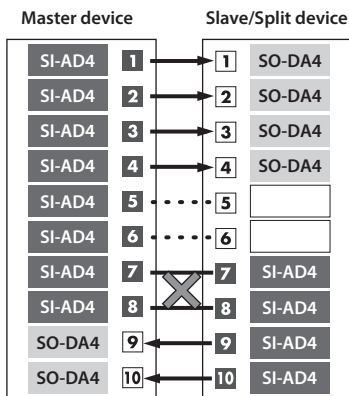
● On a device for which the REAC mode is Master, be sure to install modules in slots 1 and 2.



MEMO

On a Slave or Split device, leaving slots 1 and 2 empty poses no problem.

● The modules installed in a device serving as the counterpart to a device for which the REAC mode is Master need to be of a different type.



The audio input into the Master device is transmitted to the modules on the connected device (a Slave device or the like).

No audio is transmitted to empty slots.

No audio can be transmitted when the modules installed on the connected device (a Slave device or the like) are of the same type.

Signals can be transmitted from a Slave device to the Master device. However, transmission from a Slave device to the Master device is not possible.

● About the use of slot #11

You can install a module in slot #11 that is covered by a blank panel. Other than above rules, please note following;

- It may appear on some devices as if 8 channels have been added even though only 4 channels have actually been added to slot #11.
- When using an S-4000R, you can not see/adjust input/output status of slot #11.
- On S-4000RCS, you can not see/adjust input/output status of the slot #11 regardless its REAC MODE (MASTER/SLAVE).
* This does not apply to S-4000S.
- If you set S-4000S as the MASTER device and connect the S-4000S to another Digital Snake unit, the pre-amp gain, phantom ON/OFF and PAD ON/OFF settings of slot #11 will not be memorized.

Example: 32 inputs + 12 outputs

