



SP-404MK2

Using Serato Studio with the SP-404MK2

Contents

Operating requirements.....	3
Downloading Serato Studio.....	4
Installing Serato Studio	5
Setup.....	7
SP-404MK2 sample bank structure when connected to Serato Studio.....	8
Controlling Serato Studio.....	9
Audio routing (when connected to Serato Studio)...	12

Operating requirements

To control Serato Studio from the SP-404MK2, the following operating requirements must be met.

SP-404MK2	Version 5.00 or later
Serato Studio	Version 2.3.2 or later (macOS/Windows)

* Download the latest system program for the SP-404MK2 from the website shown below. Follow the steps shown to update the SP-404MK2.

<https://www.roland.com/global/products/sp-404mk2/downloads/>

* Refer to the Serato Studio page (<https://serato.com/studio/downloads>) for the latest operating requirements for Serato Studio.

Downloading Serato Studio

- 1 **Launch your browser and access the following Serato Studio page.**

<https://serato.com/studio/downloads>

- 2 **Click [Download] and follow the instructions to download Serato Studio.**

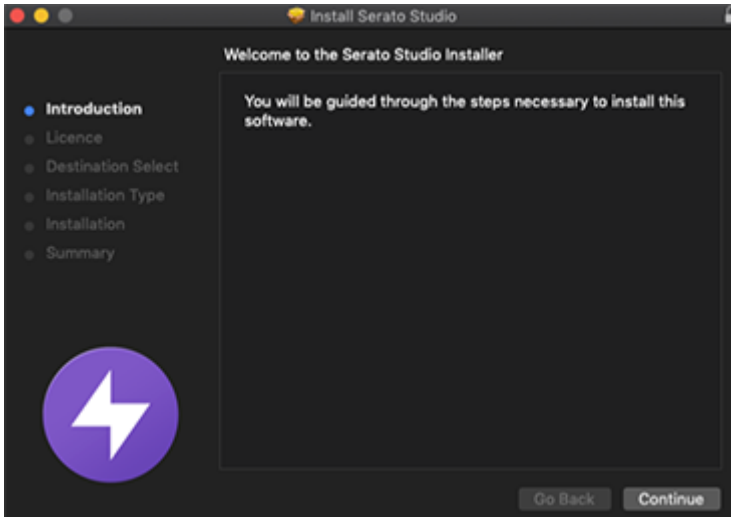
Installing Serato Studio

Follow the steps below to install Serato Studio.

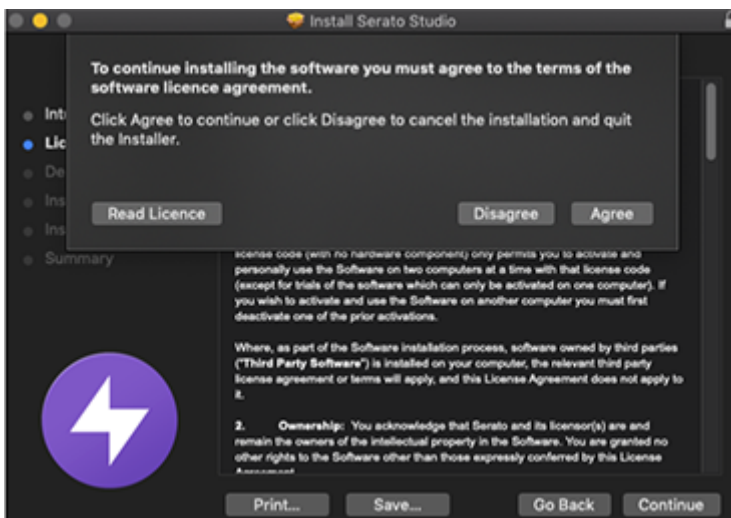
For macOS

- 1 Double-click the Serato Studio file you downloaded.

This launches the installer.



- 2 Click [Continue].
- 3 Check the User License Agreement and click [Continue]. Click [Agree] if you agree with the terms.



- 4 Check the save destination and click [Continue].
- 5 Click [Install] to begin the installation.
- 6 Click [Close] to close the screen.

This completes the installation.

For Windows

- 1 Right-click on the Serato Studio folder that you downloaded, and select "Extract All".

This decompresses the folder.

- 2 Double-click the decompressed file.

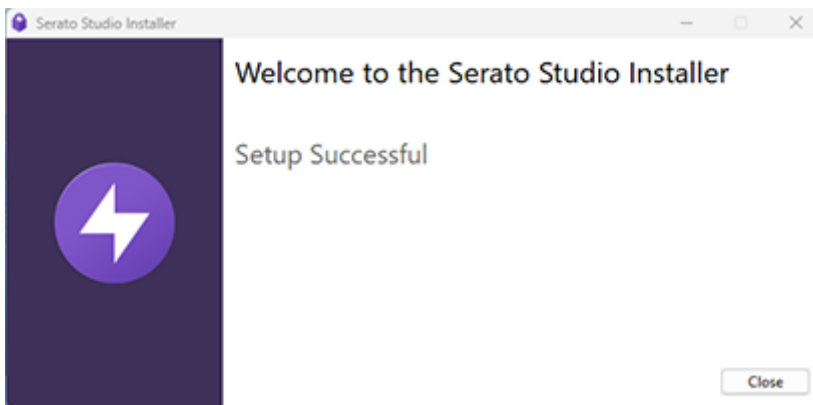
This launches the installer.

Installing Serato Studio

- 3 Check the User License Agreement. If you agree to the terms, select the “I agree to the license terms and conditions” check box, and click [Install].



- 4 Once you see the screen below, click [Close].

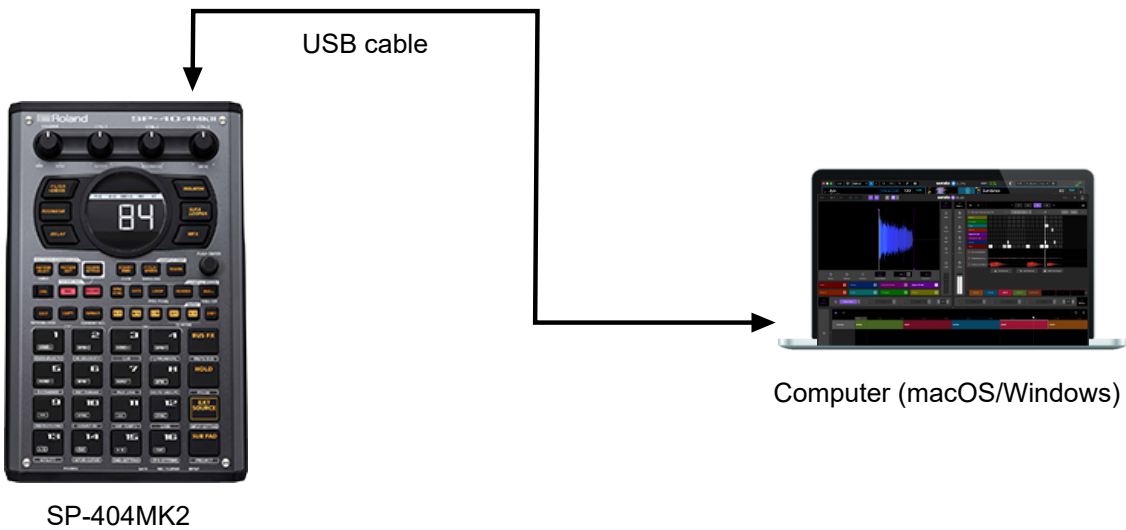


This completes the installation.

Setup

* Before connecting the SP-404MK2 and Serato Studio, you must update the SP-404MK2 system program to version 5.00 or later ([Operating requirements \(p. 3\)](#)).

- 1 Use a USB cable to connect the SP-404MK2 to the computer on which Serato Studio is installed.



- 2 Turn on the power of the SP-404MK2.
- 3 Launch Serato Studio.

Once Serato Studio launches, it automatically detects the SP-404MK2.

The “Serato” logo appears on the display of the SP-404MK2, and the display switches to the following mixer screen.



If the display doesn't switch, check the Serato Studio version. The unit operates with Serato Studio software version 2.3.2 or later.

- 4 To disconnect, quit Serato Studio.

SP-404MK2 sample bank structure when connected to Serato Studio

You can use SP-404MK2 sample banks E/J to control Serato Studio.

Bank	Mode	Explanation
A	SP-404MK2 Sampler	The software can be used as-is, as a sampler for SP-404MK2.
B		
C		
D		
E	Serato Studio Controller (Deck mode)	Lets you control the Serato Studio decks.
F	SP-404MK2 Sampler	The software can be used as-is, as a sampler for SP-404MK2.
G		
H		
I		
J	Serato Studio Controller (Scene mode)	Lets you control the Serato Studio scenes.

Controlling Serato Studio

Use the pad, transport and knob sections on the SP-404MK2 to control the Serato Studio.

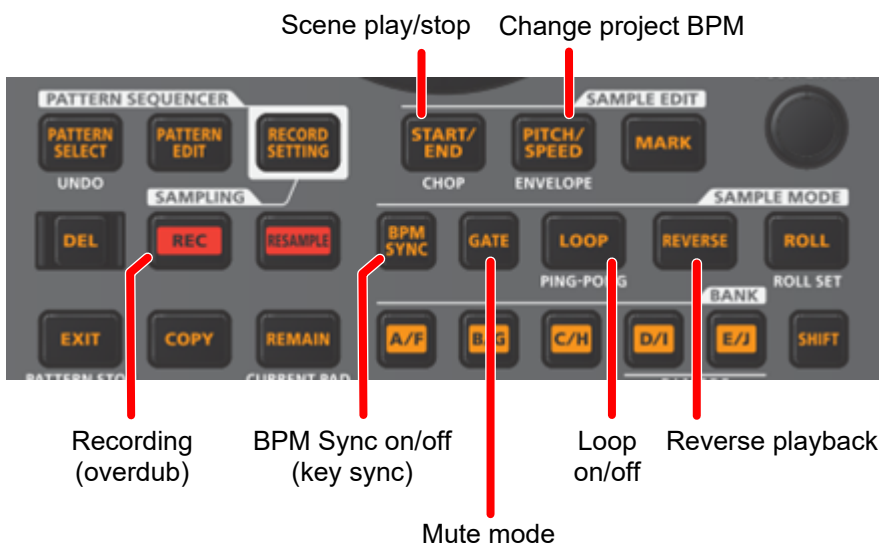
You can also use the effects of the SP-404MK2 while you're using Serato Studio.

Pad section



Mode	Operation	Explanation
Deck mode (BANK E)	Pads [1]–[16]	Plays back (triggers) the audio data assigned to each pad in the deck.
	[SHIFT] button + Pads [1]–[16]	Deletes the audio data assigned to each pad in the deck.
Scene mode (BANK J)	Pads [1]–[16]	Selects the scene.
	[SHIFT] button + Pads [1]–[16]	Deletes the scene.
Mute mode (GATE)	Pads [1]–[16]	Mutes (silences) the audio data assigned to each pad in the deck.

Transport section



Operation	Explanation
[START/END] button	Starts playback for the scene or song. Press the button again during playback to stop playback.
[PITCH/SPEED] button + [VALUE] knob (turn)	Changes the project BPM.
[REC] button	Starts scene recording or song recording.
[SHIFT] button + [REC] button	Turns the scene recording overdub function on/off.

Controlling Serato Studio

Operation	Explanation
[BPM SYNC] button	Turns BPM sync for the selected sample deck on/off.
[SHIFT] button + [BPM SYNC] button	Turns key sync on/off for the selected sample deck.
[GATE] button	Selects the mute mode.
[LOOP] button	Turns the scene or song loop on/off.
[REVERSE] button	Turns reverse playback for the selected deck on/off.

Knob section



Operation	Explanation
[CTRL 1] knob	Controls the gain for the deck.
[SHIFT] button + [CTRL 1] knob	Controls the attack for the deck.
[CTRL 2] knob	Controls the filter for the deck.
[SHIFT] button + [CTRL 2] knob	Controls the release for the deck.
[CTRL 3] knob	Controls the pan for the deck.
[SHIFT] button + [CTRL 3] knob	Controls the tempo/glide (for instrument decks) of the deck.

Other functions

Skip-back sampling function/
looper function

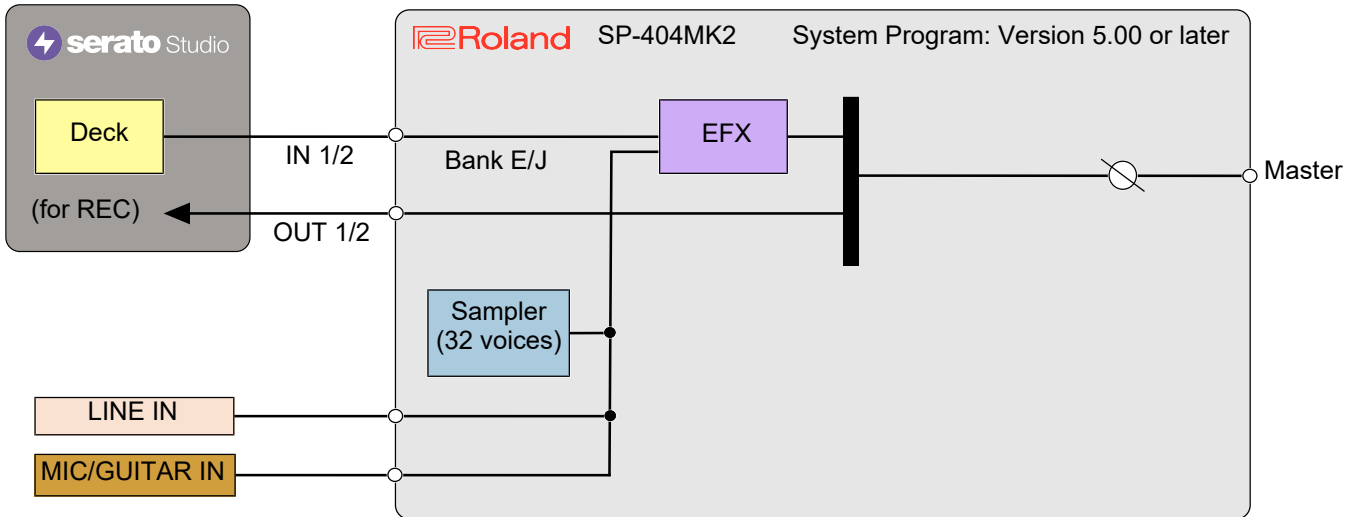


Retrigger

Operation	Explanation
[SUB PAD] button	Retriggers the last triggered pad when in deck mode.

Operation	Explanation
[MARK] button	You can use the skip-back sampling function or the looper function of the SP-404MK2.

Audio routing (when connected to Serato Studio)



SP-404MK2
Using Serato Studio with the SP-404MK2
01
Roland Corporation

© 2025 Roland Corporation